

Conexis[®] L1 Manual

The Secure, Keyless
Smart Door Lock.

Contents

Installation Videos	3
Conexis® L1 Smart Door Lock	4
Inside The Box	5
Removing Existing Handle and Cylinder	6
Measuring Your Door	7
Installing The Actuator	8
Installing Handles	9
Handing The Lock	15
Pairing Master Key Card	16
Locking The Conexis® L1	17
Pairing Master Phone To App	21
Adding Additional Key Cards/Tags	22
Unlocking Using App	24
Sharing Virtual Keys	25
Pairing To A Smart Home Controller	26
Adding Remote Fobs	27
Battery Indicator	28
Factory Reset	29
Frequently Asked Questions	30

Hereby, ASSA ABLOY Ltd declares that the Conexis® L1 Smart Door Lock is in compliance with Directive 2014/53/EU. The full text of the EU declaration of conformity is available at the following internet address:
www.yale.co.uk/declaration-of-conformity

Installation Videos.

Please watch the installation videos on the Yale website or YouTube channel and read this manual completely before installation.



How to install a Conexis® L1 Smart Door Lock 



How to install a Conexis L1® Smart Door Lock.

The smarter way to protect your home.



Pairing your smart phone with the
Conexis® L1 Smart Door Lock.

The smarter way to protect your home.



How to add a card or tag via the
Conexis L1® Smart Door Lock App.

The smarter way to protect your home.



Sending Virtual Keys via
the Conexis® L1 Smart Door Lock App.

The smarter way to protect your home.

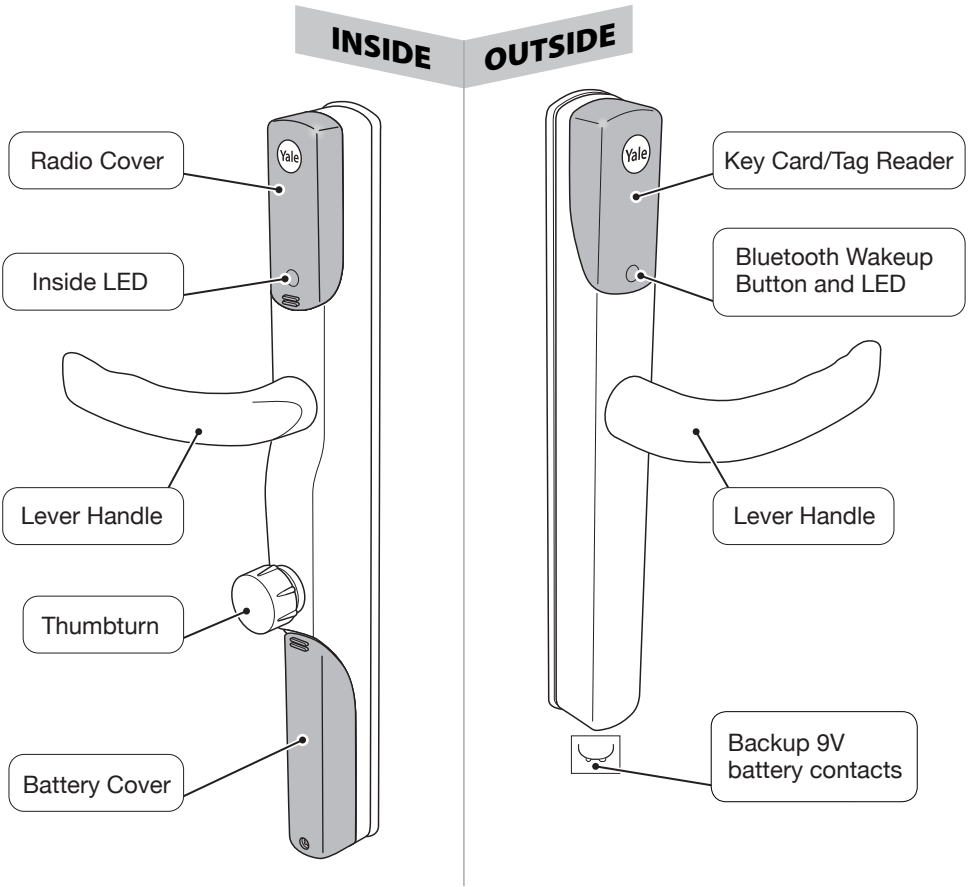


How to remove a Conexis® L1 Smart
Door Lock.

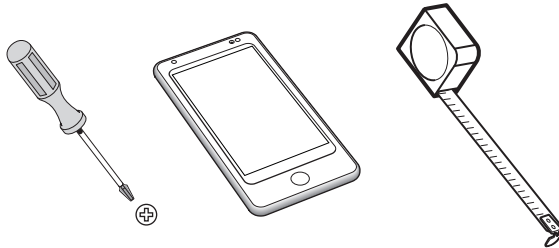
The smarter way to protect your home.

For more information on this product and the Yale Smart Living Range visit:
www.yale.co.uk/smart-living

Conexis® L1 Smart Door Lock.



Tools Required*

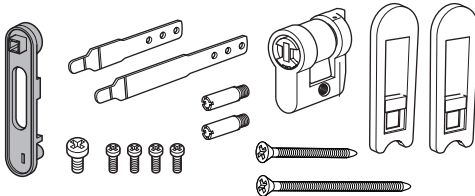


*Additional tools maybe required to remove your existing handles

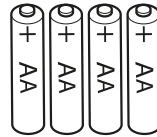
Inside The Box.



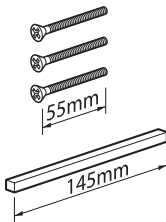
Fixing Pack A



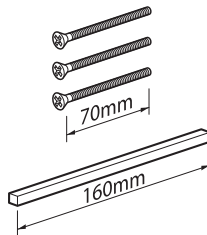
4 x AA Alkaline Batteries



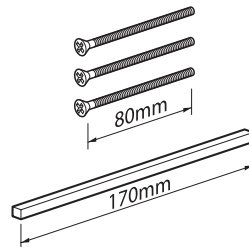
Fixing Pack B



Fixing Pack C



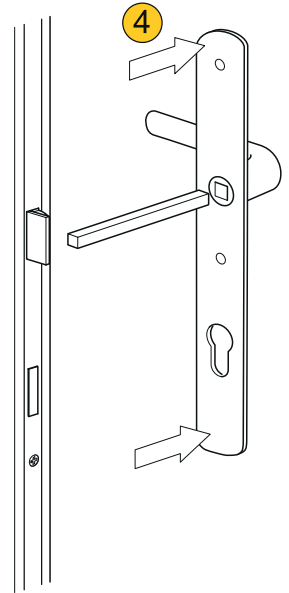
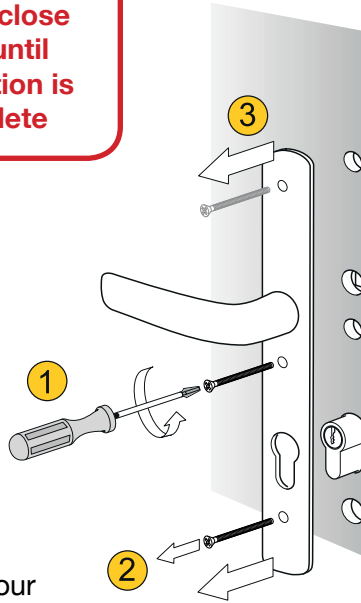
Fixing Pack D



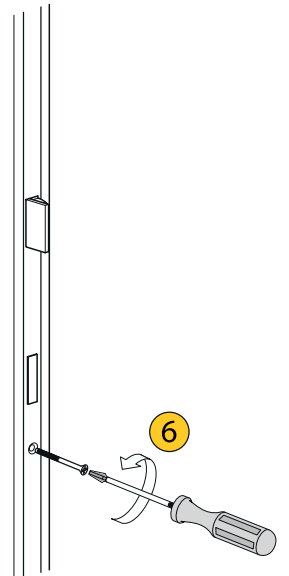
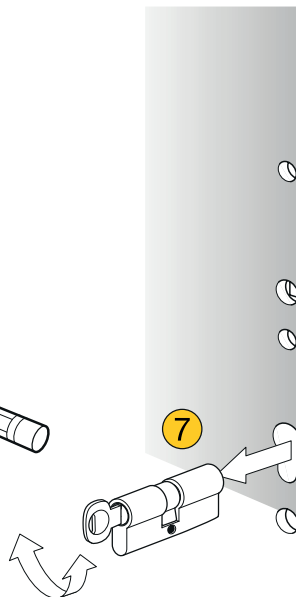
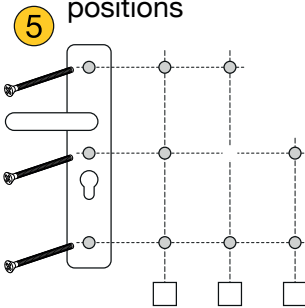
Removing Existing Handle And Cylinder.



Do not close door until installation is complete



Make note of your current fixing screw positions



Measuring Your Door.

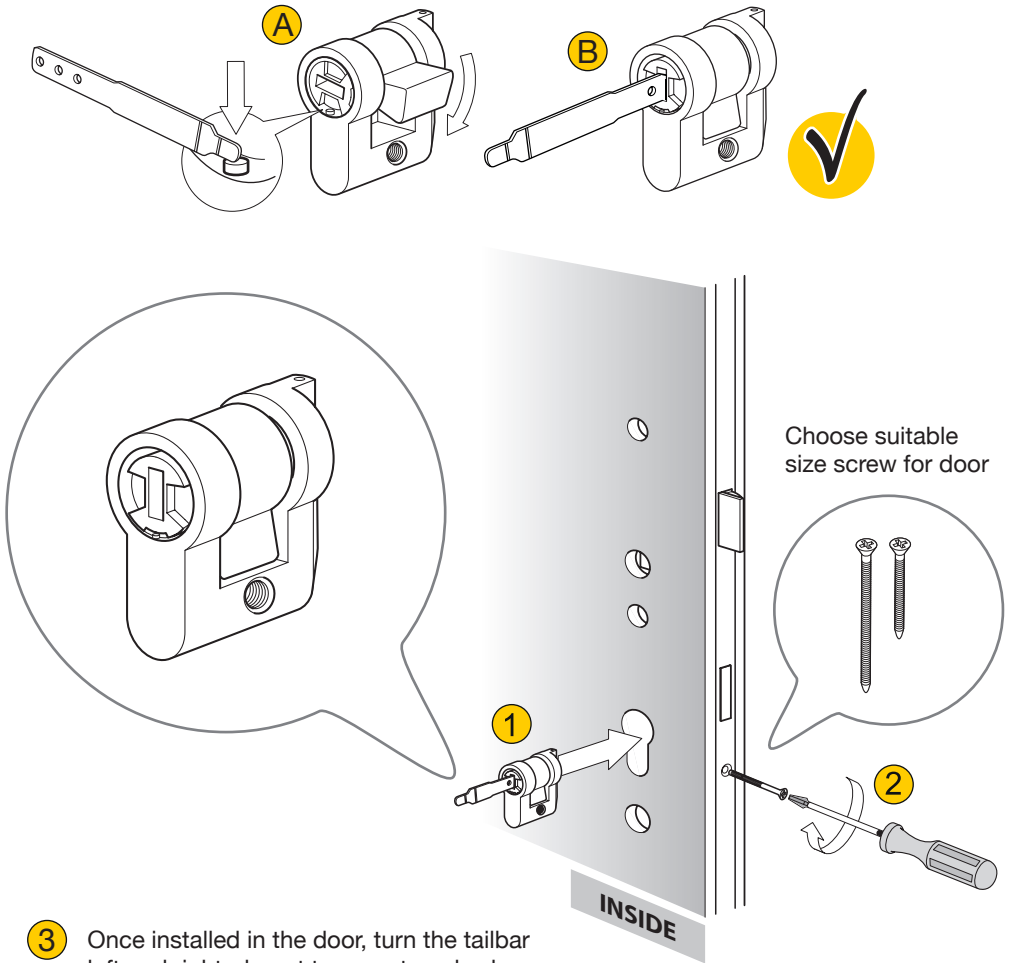
1 Measure the thickness of the door to select the correct fixing pack.

Fixing Pack B	Fixing Pack C	Fixing Pack D
Door thickness 44-50mm	Door thickness 58-65mm	Door thickness 70mm

2 Measure the distance between the centre of the lock and the inside of the door to select the correct tailbar.

21mm - 26mm	Short Tailbar		
26mm - 31mm			
31mm - 36mm			
36mm - 41mm	Long Tailbar		
41mm - 46mm			
46mm - 51mm			

Installing The Actuator.

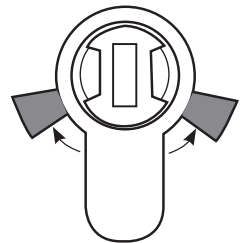


- 3 Once installed in the door, turn the tailbar left and right, do not turn past angle shown on diagram. Does it move freely?

Yes, if it moves freely, please proceed.

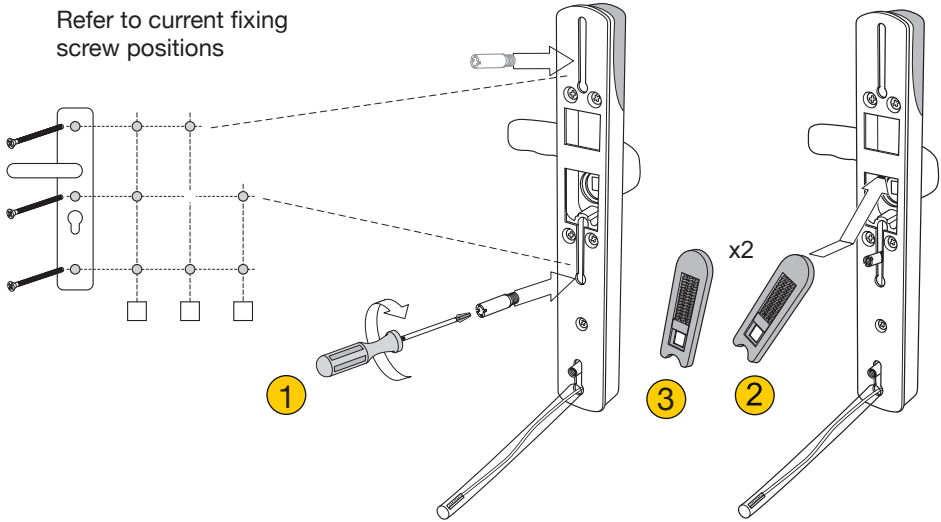
No, remove the actuator from door and realign until it moves freely.

Tip: You may need to reset the actuator so that the tailbar is in the vertical position before continuing.

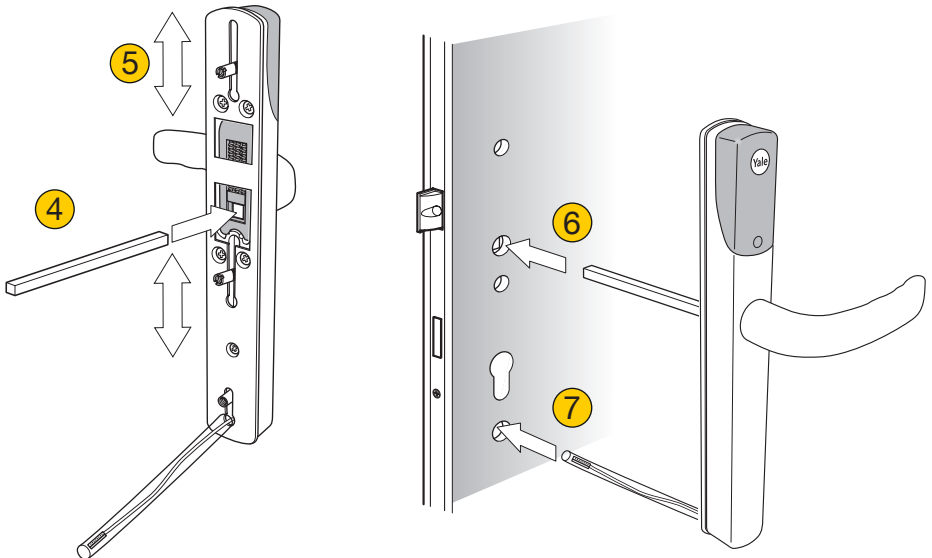


Installing External Handle.

Refer to current fixing screw positions



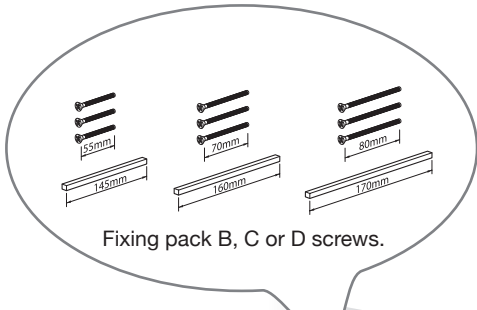
You may need to screw in an additional lug from fixing pack A.



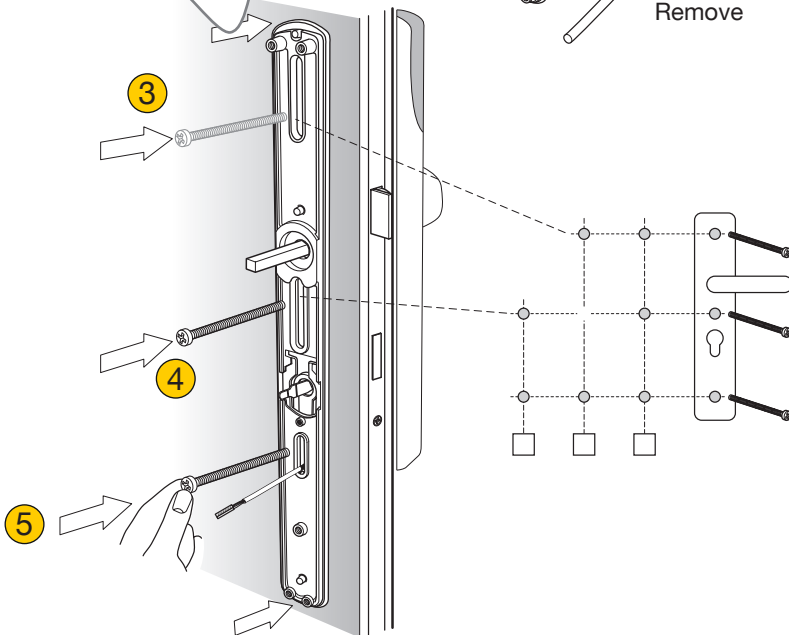
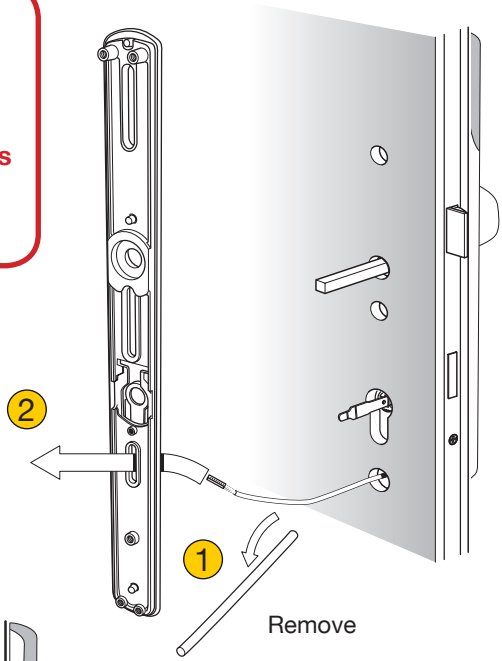
Installing Internal Fixing Plate.



Ensure correct fixing pack is used for width of door.
Do not fully tighten as the handle needs to be aligned in the next step.

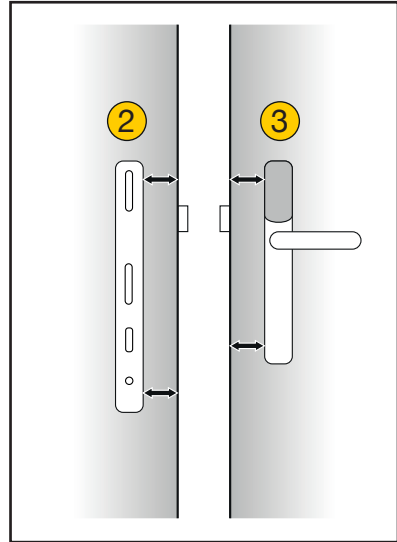
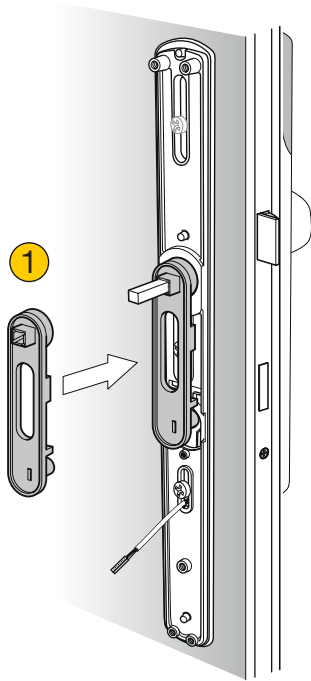


Fixing pack B, C or D screws.

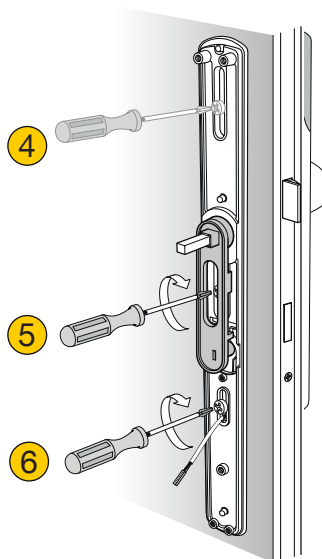


Aligning Handle.

Ensure exterior handle and fixing plate are parallel before finally tightening screws.



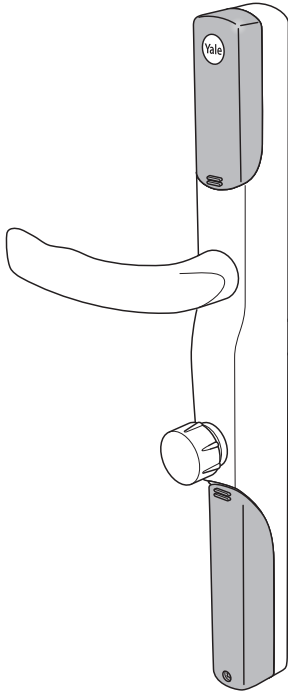
Please ensure that alignment tool is flat against the door as screws are tightened. This ensures the motor is aligned correctly.



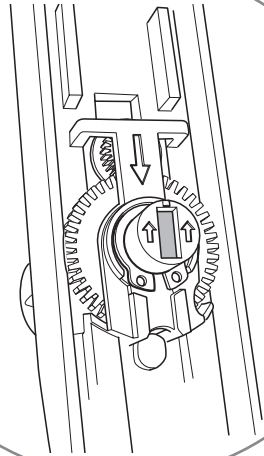
Installing Internal Handle.



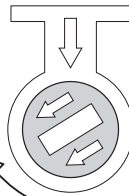
Do not turn thumbturn until installation is complete



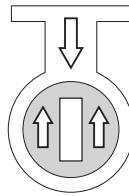
i



1



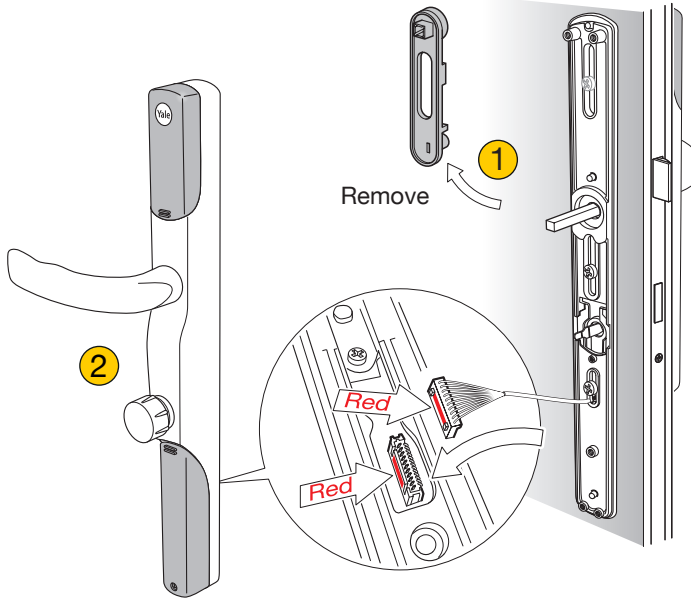
2



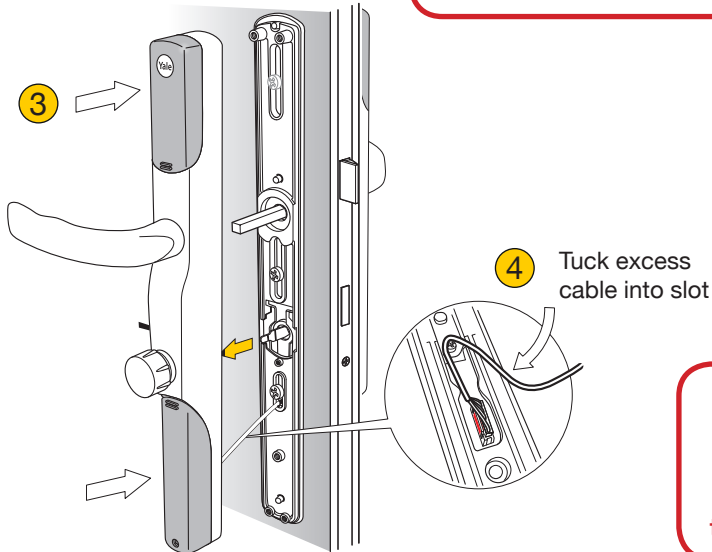
Turn until arrows are facing each other



Installing Internal Handle.

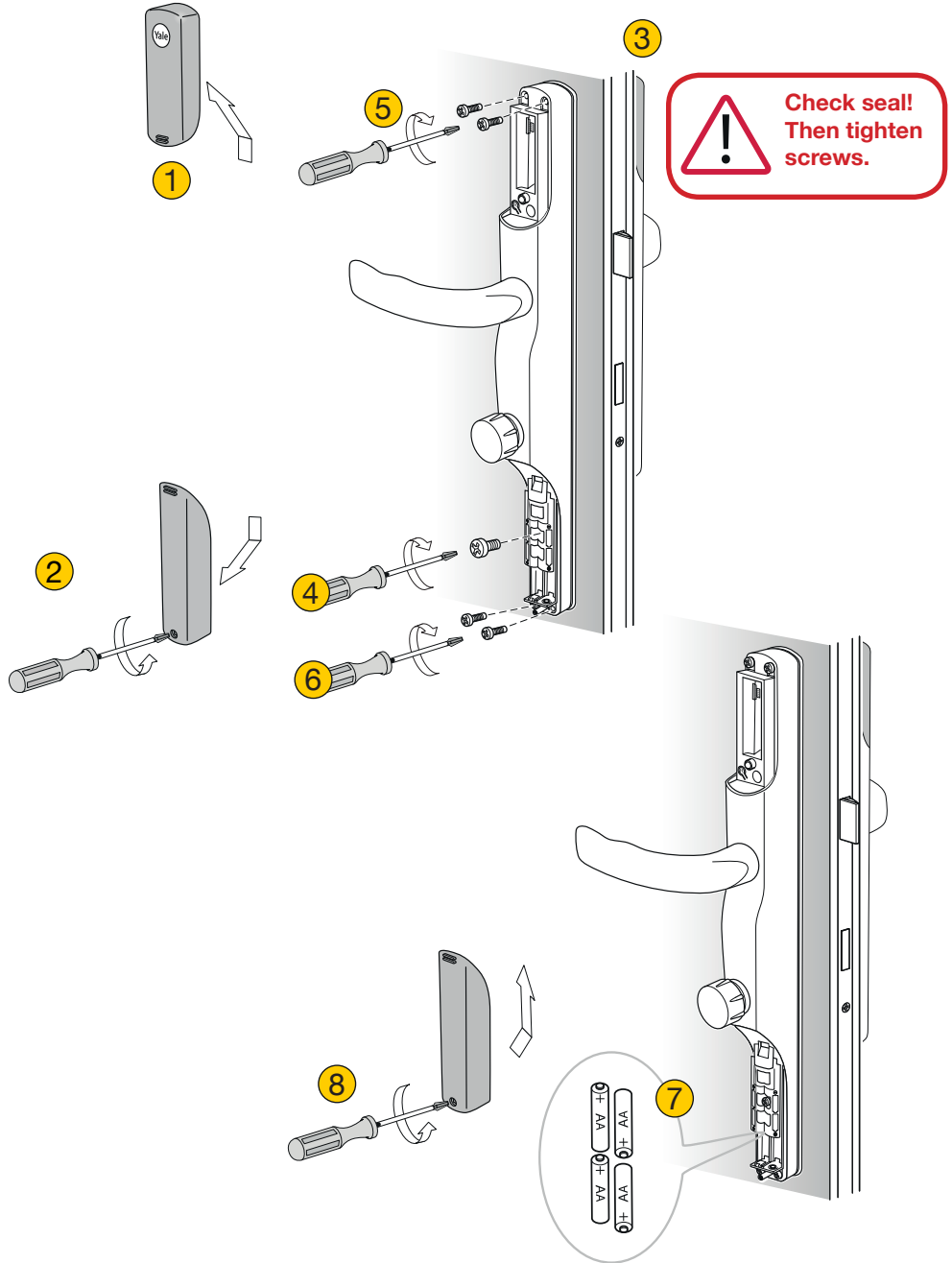


Take care when removing cable if adjustments are needed



Do not trap cable!

Installing Internal Handle.



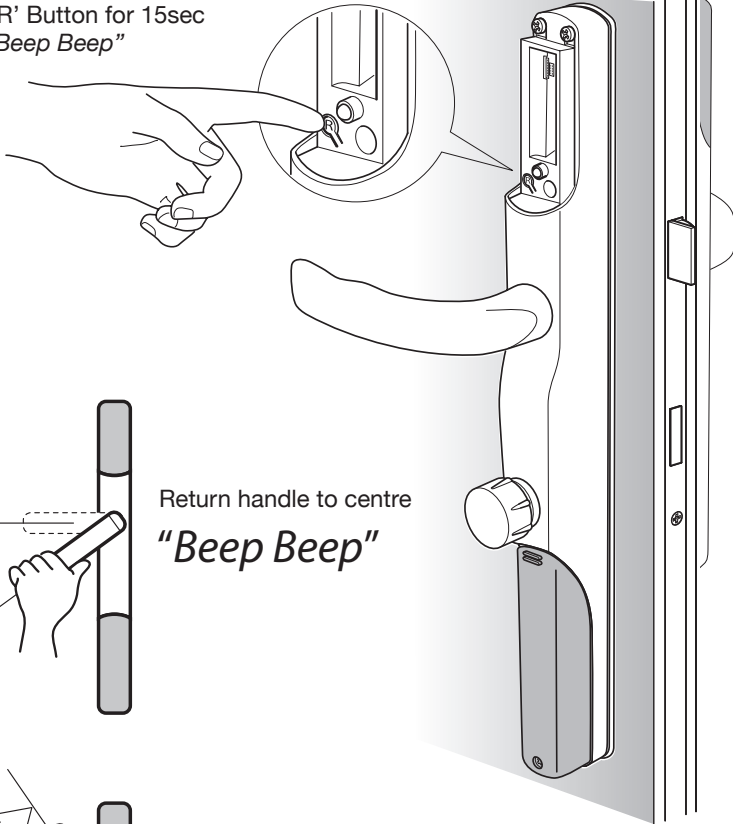
Handing The Lock.



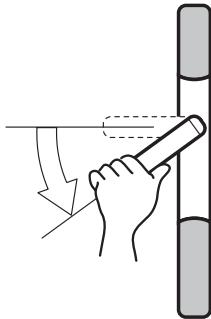
If these steps are not completed the door will not lock.
If the lock sounds like it is struggling to lock, check actuator installation shown on page 8.

Hold 'R' Button for 15sec
until "Beep Beep"

1

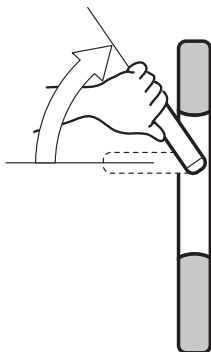


2



Return handle to centre
"Beep Beep"

3



Return handle to centre. The
lock will now configure itself
by locking and unlocking.

"Beep Beep
Beep"



If after completing this step
you get 8 related beeps and
a red light it indicates there
is an issue with alignment.
To fix this please uninstall
the unit & go back to page 8.

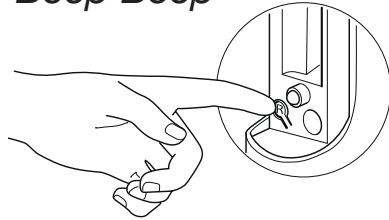
Pairing Master Key Card.



This process adds the master key card to the lock to enable access before pairing a phone. Once a phone is paired, all other key cards / tags will need to be added via the app

- 1 Press 'R' button on internal handle to turn the light on the external handle purple

"Beep Beep"

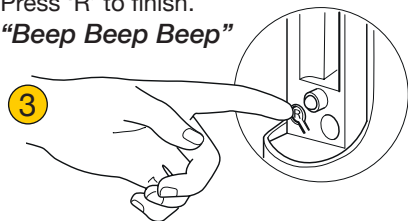


2 Touch card below the Yale logo on the external handle so that the light turns green, then purple.

"Beep"

Press 'R' to finish.

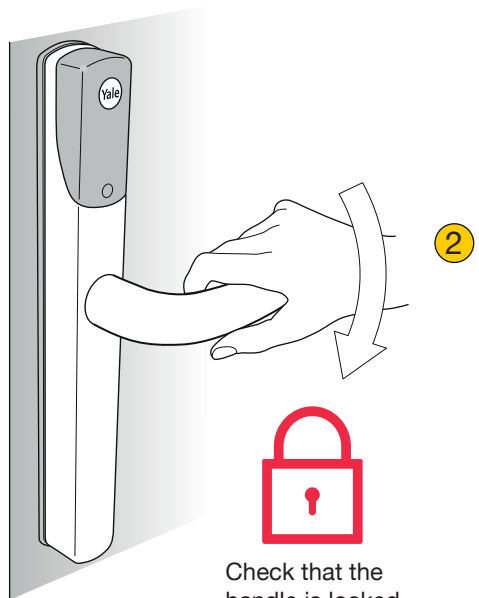
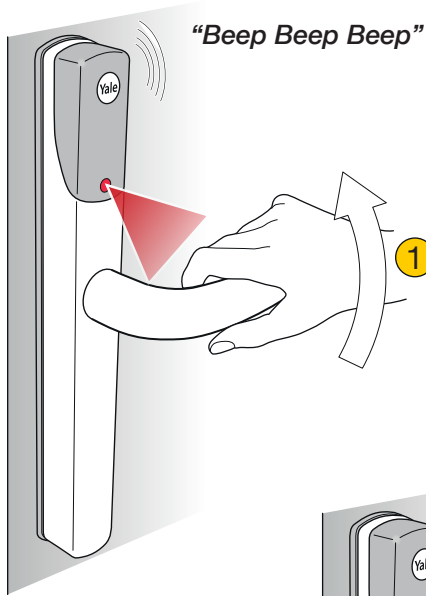
"Beep Beep Beep"



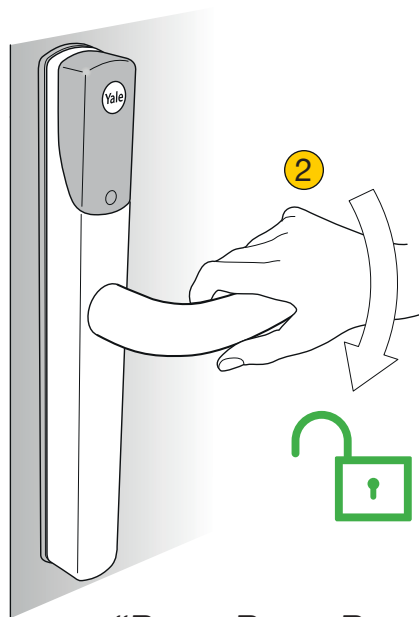
Locking The Conexis® L1.



Please make sure your door remains open



Unlocking With Master Key Card.



“Beep Beep Beep”

Installation Checklist.

Before shutting your door in the frame, please test the following things...

1 While the door is open, lift the lever handle to lock. Make sure the motor operates smoothly.

2 Test to make sure the lever handle cannot be pushed down.

3 Push the thumbturn in on the inside handle and turn 180 degrees to unlock the door.

4 Push the lever handle down and make sure it returns by itself.

5 Lift the lever handle to lock again.

6 Tap the paired card on the outside handle under the Yale logo. Make sure it unlocks and the lever can be pushed down.

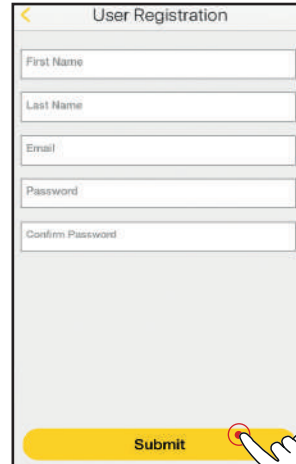
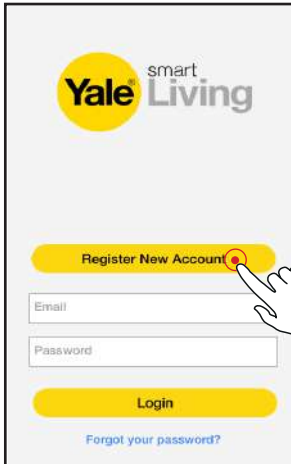
**Please proceed to setup the
Conexis L1® App**



1 Download the Conexis® L1 App



2 Register Account

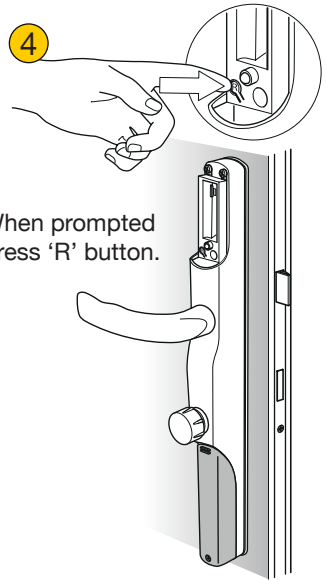
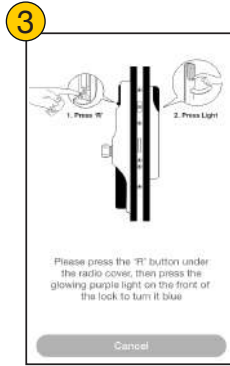
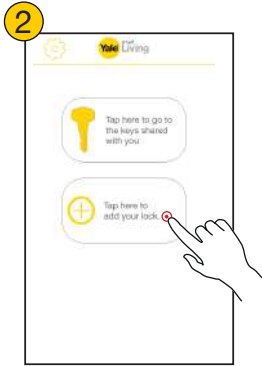


3 Verify account by clicking link sent to your email

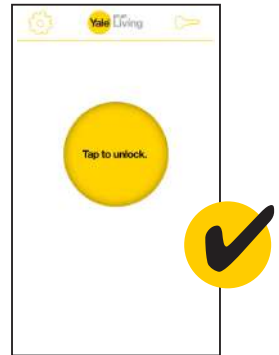
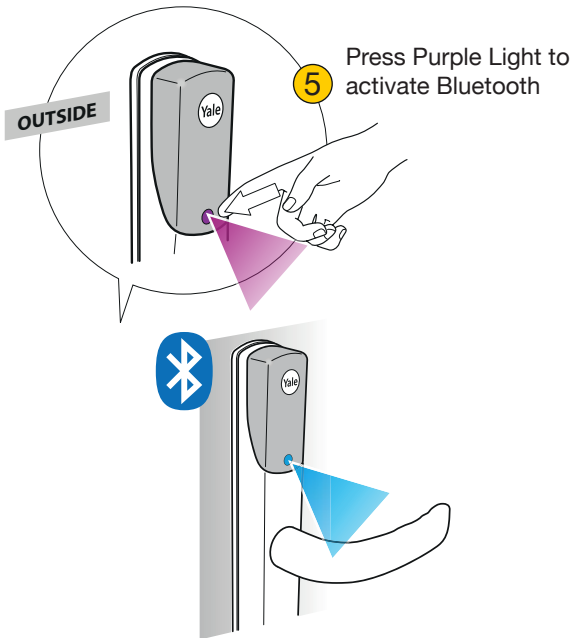
You will now be credited with 5 Virtual Key credits. Additional key credits can be purchased through the app.

Pairing Master Phone To App.

- 1 Make sure your phone's Bluetooth is turned on and it has an internet connection.



If the app has changed from what is shown on this manual please download the latest version from www.yale.co.uk/help

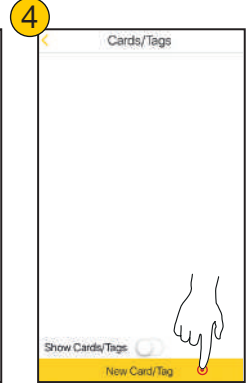
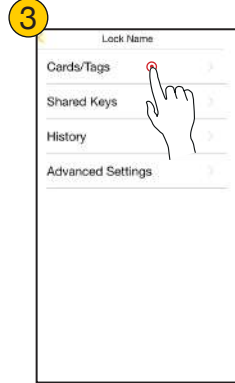
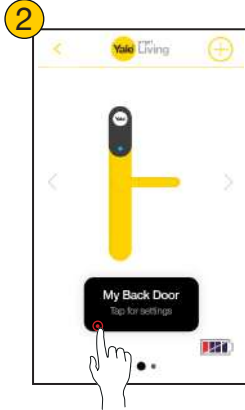
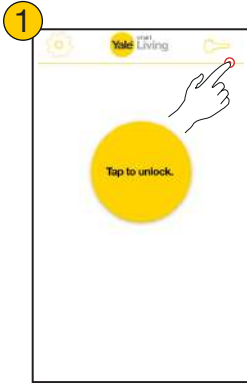


Please note that pairing the lock to your phone will use 1 of your 5 key credits.

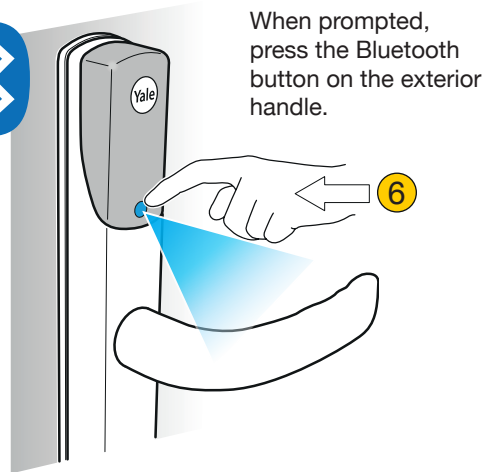
Adding Additional Key Cards/Tags.



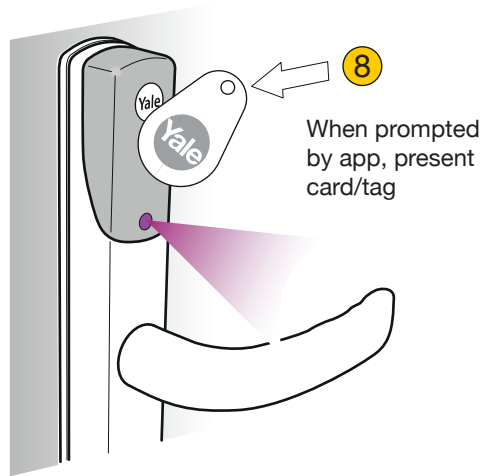
All additional key cards/tags must be added through the app



Press the key in the top right corner & select my lock.



Adding Additional Key Cards/Tags.



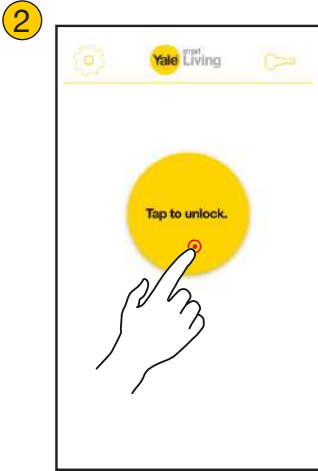
Once an additional key card/tag has been added, 'User 1' will appear in the list. This is the master key card previously added.



Having difficulty? Please check out our video guides.

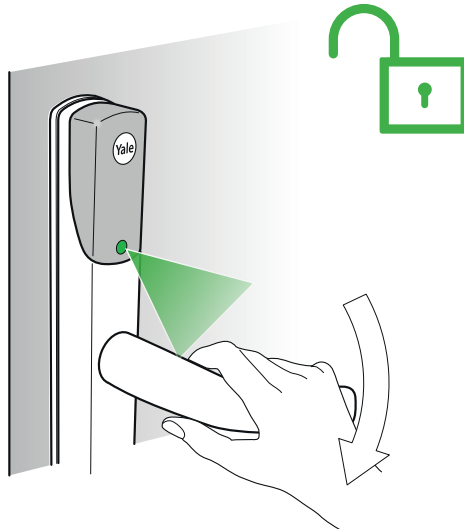
Unlocking Using App.

1 Make sure Bluetooth is active on your Smart Phone



The timer shows the amount of time you have to wake up the Bluetooth on the lock.

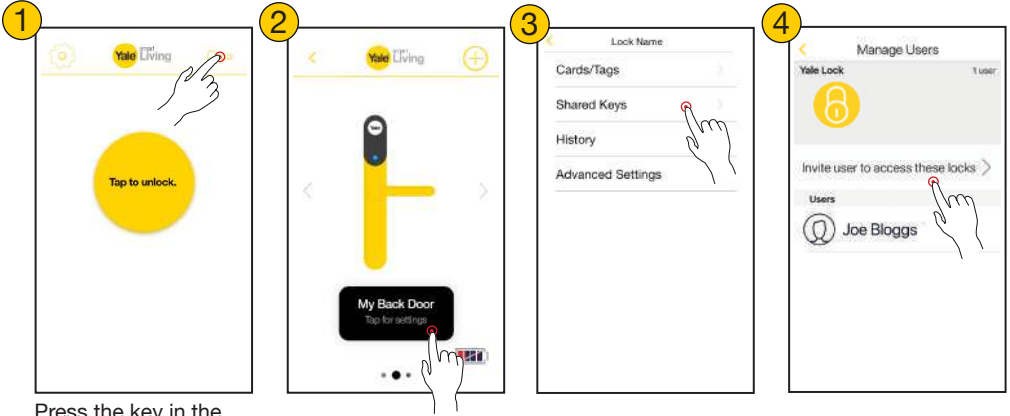
4



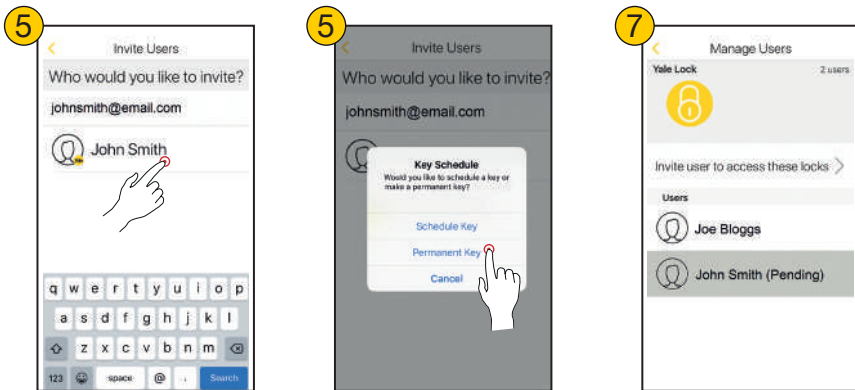
Sharing Virtual Keys.



You can give people access to your lock by sharing a virtual key. Please note, 5 virtual key credits are included with the app. Additional key credits can be purchased through the app.

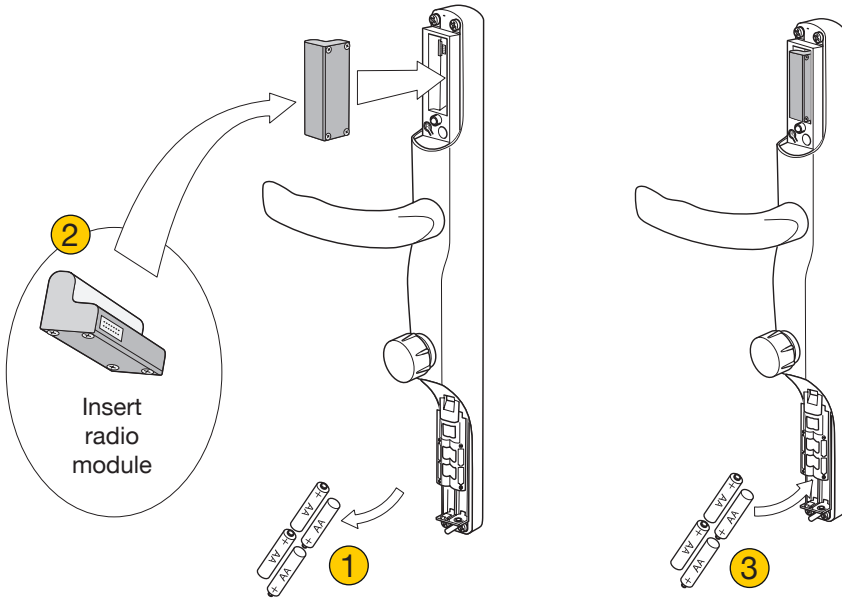


Press the key in the top right corner & select my locks.



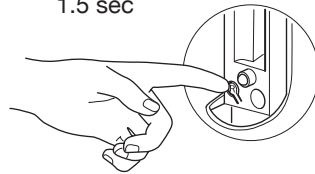
The user will have to download the Conexis® L1 App and register an account to be able to use the Virtual Key. The Virtual Key has to be accepted by the user by tapping on key in order for it to work. Please note that the app may need to be refreshed for the key to appear on the guest's phone.

Pairing To A Smart Home Controller.



4 Pairing is a two way process, your smart home controller may need to be in 'Device Inclusion Mode'

5 Press 'R' button 3 times within 1.5 sec



Remove From Controller

The lock may need to be removed from a home automation system before being added to a new system. To do this, please carry out the following:

1. Put the existing system into the 'Device Exclusion Mode'
2. Press 'R' button 3 times within 1.5 seconds



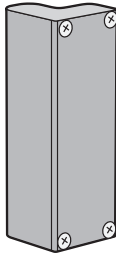
Having difficulty? Please check out our video guides.

Adding Remote Fobs.

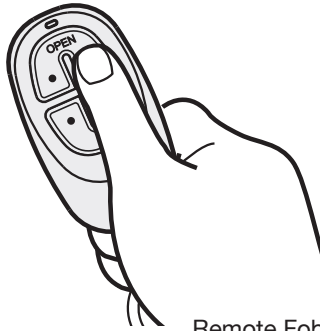


All remote fobs you wish to add need to be added at the same time in step 4 (maximum of 5)

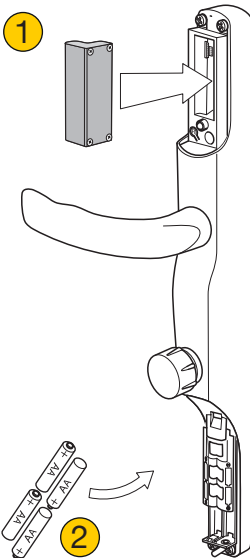
Parts Required



Remote Fob Module



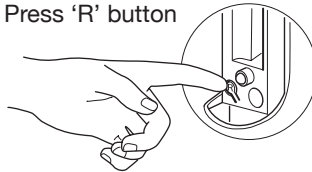
Remote Fob



1

2

3 Press 'R' button

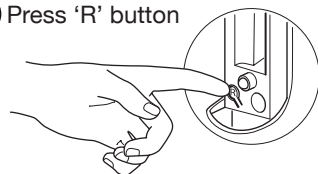


4



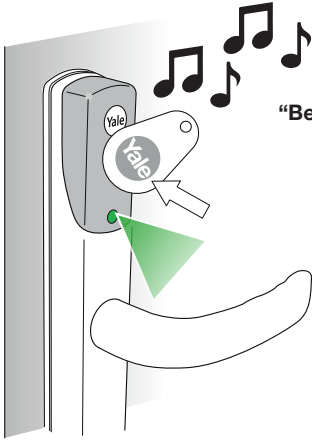
Press and hold top right and bottom left buttons until a solid red light appears on the fob. The lock will then beep once. Release buttons.

5 Press 'R' button



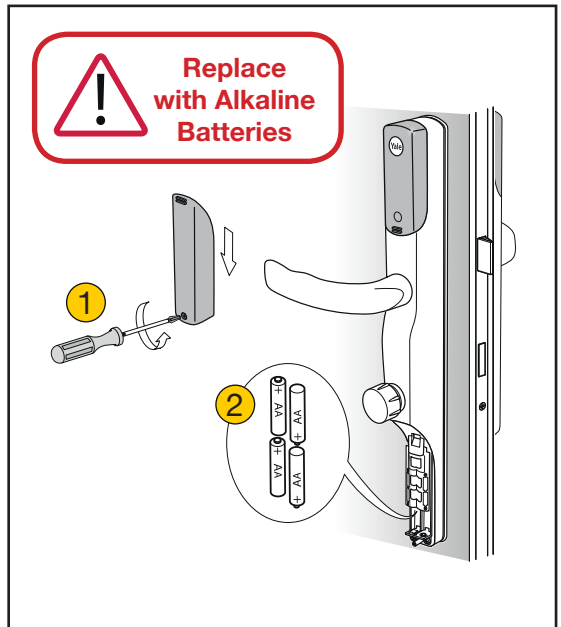
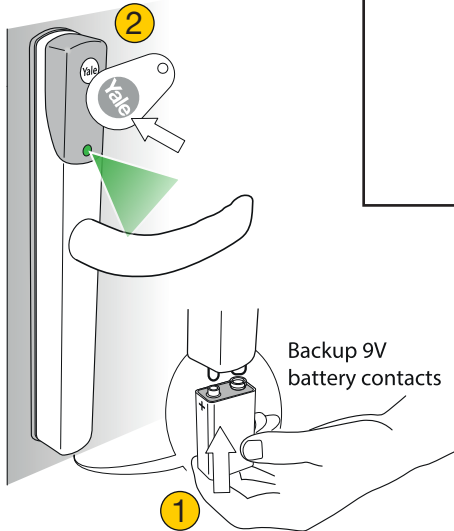
Battery Indicator.

Low Battery

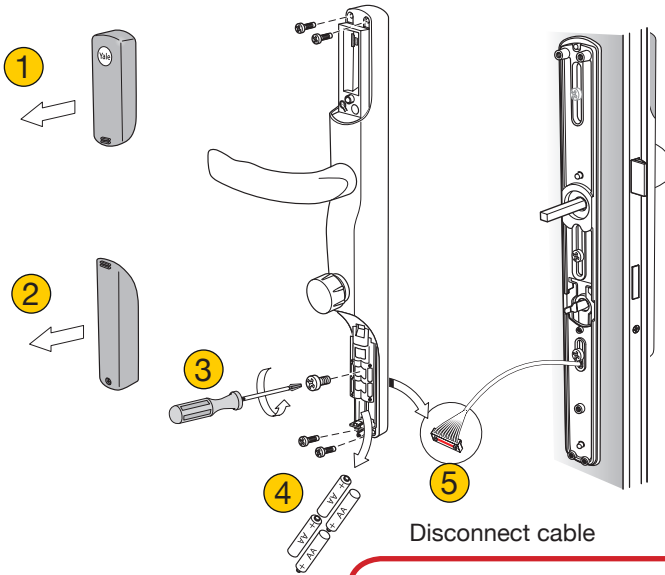


“Beep beep beep, Beep beep beep, be be be be be”

No Battery



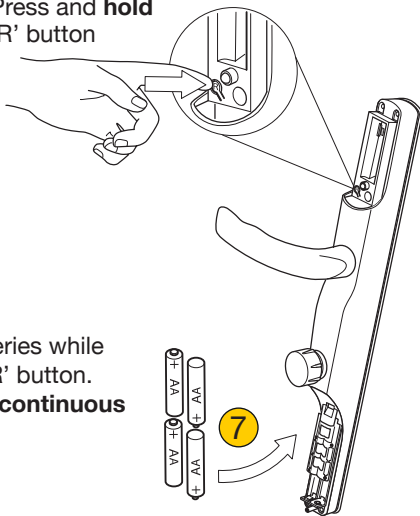
Factory Reset.



 **Do not pull cable. To prevent damage, pull at base of connector**

6 Press and hold 'R' button

Insert batteries while pressing 'R' button. Hold until continuous "beeping"



8 Remove batteries and install following installation instructions



Having difficulty? Please check out our video guides.

FAQ's

Can I pair more than one phone with the same Conexis® L1 Smart Door Lock?

No, only 1 phone needs to be paired with the Conexis® L1 Smart Door Lock. You can then give an unlimited number of people access via sharing Virtual Keys with them. Please note, 5 Virtual Keys are included with the app, additional Virtual Keys can then be purchased in the app.

My Conexis® L1 Smart Door Lock is making an unusual sound?

If a series of beeps are heard from the Conexis® L1, this means the handle has not been lifted into the correct position meaning it is not locked. If it is playing a series of notes (i.e. a tune) this will be the low battery warning.

Conexis® L1 Smart Door Lock will not pair with the app?

Please ensure that your Smart Phone's Bluetooth and internet connection is on and that you have paired a Key Card/Tag/Phone Tag to the lock. Without either of these steps being completed the lock will not pair with the app.

Conexis® L1 is not locking or unlocking?

To prevent a lock out during the installation, the Conexis® L1 will not lock until the master key card has been added and the lock has been handed as per page 15 of the manual. If the Conexis® L1 is attempting to lock but a whirring noise can be heard, this means that the actuator is not aligned as per page 8 or the arrows on page 12 were not facing the correct direction.

My Key Card/Key Tag/Phone Tag or Virtual Key is not working?

There should be only 1 Virtual Key for each Conexis® L1 Smart Door Lock displayed in the app. If you have multiple keys, please remove from the app and re-add the lock to the app until you only have 1 key. Only 1 Key Card/Tag/Phone Tag can be registered to the lock during installation. By registering another Key Card/Tag/Phone Tag, this will delete the previous. Additional Key Cards/Tags/Phone Tags must be added via the Conexis® L1 app.

An alarm on the Conexis® L1 is going off?

This is the Conexis® L1 tamper alarm. This would be a result of someone tampering with the lock or cable connecting the exterior handle to the internal handle during installation. This can be turned off by holding the 'R' button as the batteries are inserted. When the lock powers up, release the 'R' button. Re-check connections and cabling.

If you have issues with any of the above, please visit www.yale.co.uk/help and view the YouTube videos covering installation and app setup.

THE YALE BRAND, with its unparalleled global reach and range of products, reassures more people in more countries than any other consumer locking solution.

THE ASSA ABLOY GROUP is the world's leading manufacturer and supplier of locking solutions, dedicated to satisfying end-user needs for security, safety and convenience.



The 2 year guarantee for this product is active from the date of Purchase (A copy of this guarantee is available on our website)